

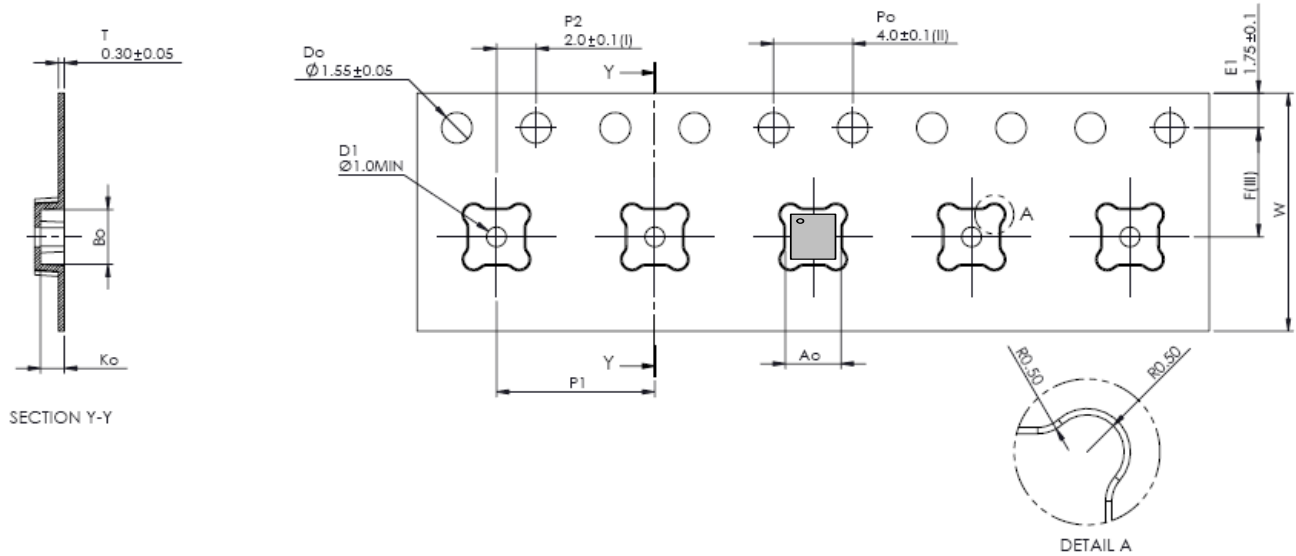


# VOLTERRA PACKING INFORMATION

## CSP-20 Type A (VT242)

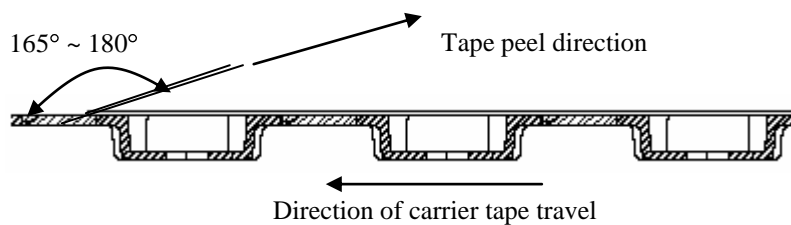
### TAPE & REEL SHIPMENT INFORMATION

### TAPE SPECIFICATIONS



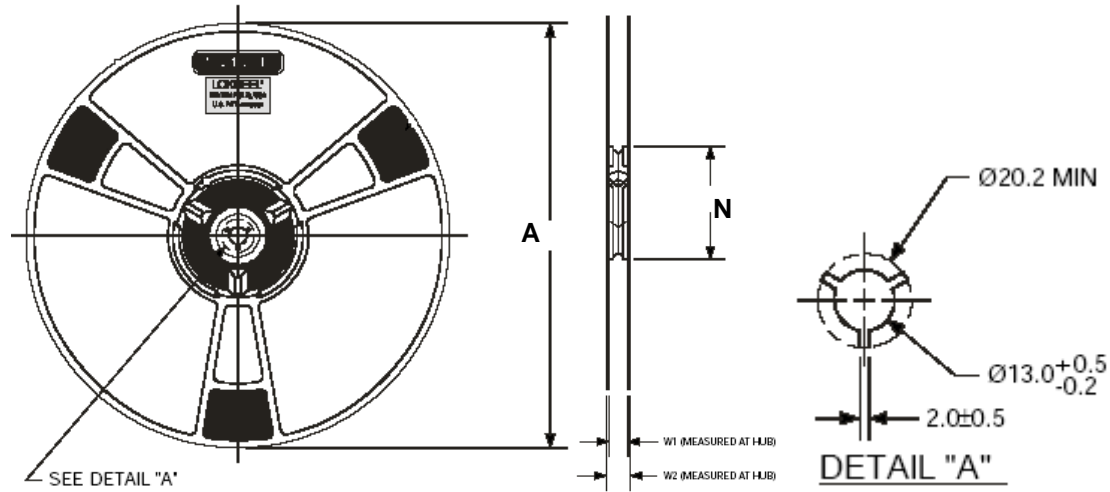
Ao	2.80	+/- 0.1
B0	2.75	+/- 0.1
Ko	1.20	+/- 0.1
F	5.50	+/- 0.1
P1	8.00	+/- 0.1
W	12.00	+/- 0.3

Note:  
 Tape dimensions are determined in accordance to EIA-481 Specification.  
 Tape & Reel is done in accordance to EIA-481 standard.  
 Tape leader length is 400mm and tape trailer length is 160mm minimum.  
 Device orientation on Carrier Tape - Pin one orientation is adjacent to the sprocket holes side at top left corner.  
 Tape peel strength of cover tape should meet the requirement of 0.2N to 1.0N (20gm to 100gm) when pulled in the direction as shown below, at velocity of 300 ± 10 mm/min relative to carrier tape.





**REEL SPECIFICATIONS**

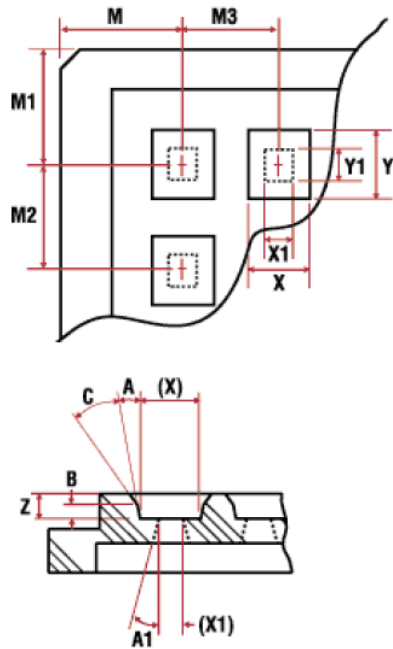


Reel Quantity	Reel Type	Dim. 'A'	Dim. 'N'	Dim. 'W1'	Dim. 'W2' (MAX)
2500	Std. 13" Reel	φ 330 REF	φ 102 REF	13.0 ± 0.5	18.2
250	Mini 7" Reel	φ 180 REF	φ 80 REF	12.4 ± 0.5	16.5

Note: All dimensions measured in mm

**WAFFLE PACK SHIPMENT INFORMATION**

**WAFFLE PACK SPECIFICATIONS**



**POCKET LOCATIONS**

- M = 4.80mm ±0.13mm
- M1 = 5.00mm ±0.13mm
- M2 = 4.06mm ±0.13mm
- M3 = 3.73mm ±0.13mm
- Array = 12x11 (132)

**POCKET DETAILS**

- X = 2.79mm  
= ±0.13mm pocket size
- Y = 3.02mm  
= ±0.13mm pocket size
- Z = 1.04mm  
= ±0.08mm pocket depth
- A = 7° ±1/2° pocket draft angle
- No Cross Slots**

**OVERALL TRAY SIZE**

- Size = 50.67mm ±0.25mm
- Height = 3.94mm +0.08mm - 0.13mm
- Flatness = 0.30mm