

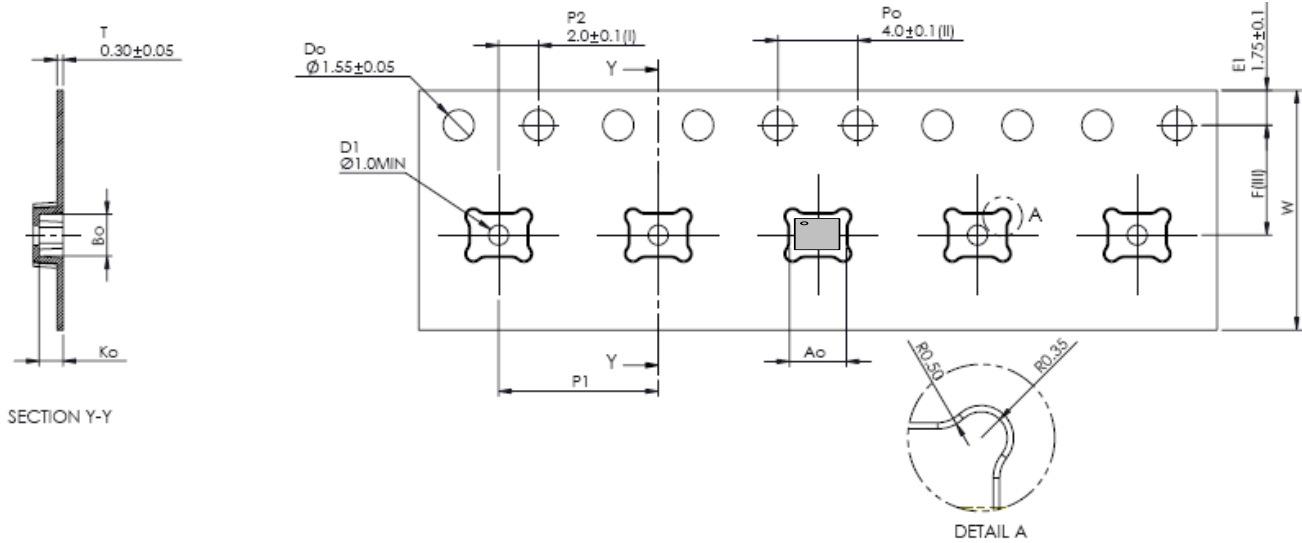


# VOLTERRA PACKING INFORMATION

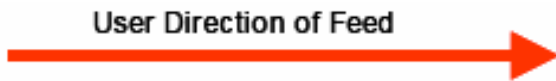
## CSP-15 Type C (VT355)

### TAPE & REEL SHIPMENT INFORMATION

### TAPE SPECIFICATIONS

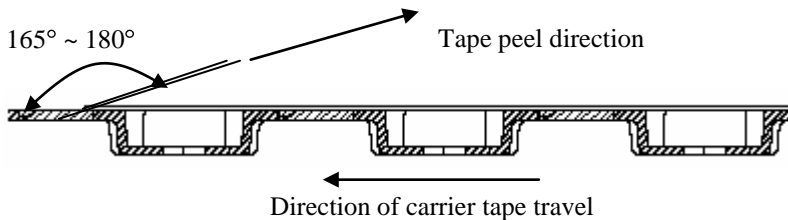


Ao	2.85	+/- 0.1
Bo	2.10	+/- 0.1
Ko	1.20	+/- 0.1
F	5.50	+/- 0.1
P1	8.00	+/- 0.1
W	12.00	+/- 0.3



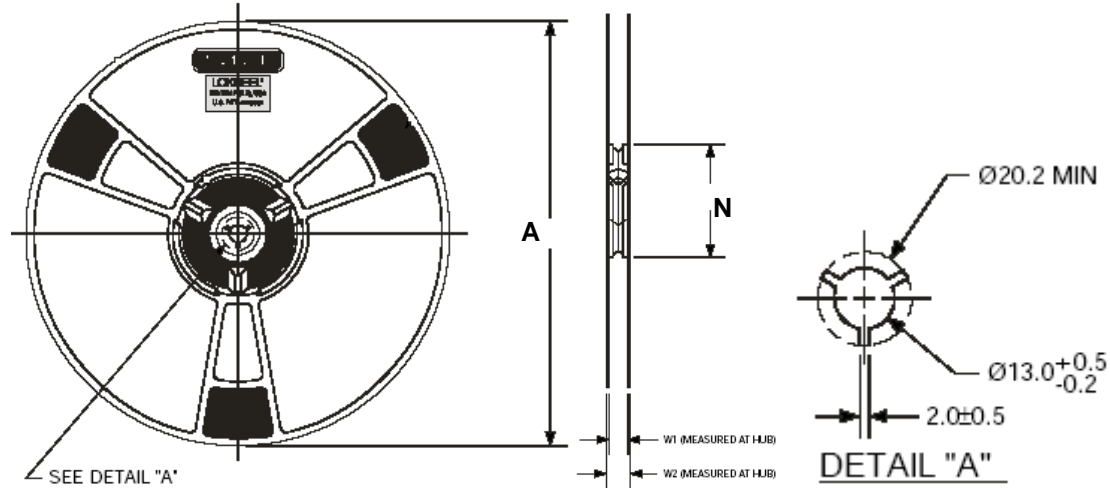
**Note:**

Tape dimensions are determined in accordance to EIA-481 Specification.  
 Tape & Reel is done in accordance to EIA-481 standard.  
 Tape leader length is 400mm and tape trailer length is 160mm minimum.  
 Device orientation on Carrier Tape - Pin one orientation is adjacent to the sprocket holes side at top left corner.  
 Tape peel strength of cover tape should meet the requirement of 0.2N to 1.0N (20gm to 100gm) when pulled in the direction as shown below, at velocity of 300 ± 10 mm/min relative to carrier tape.





**REEL SPECIFICATIONS**



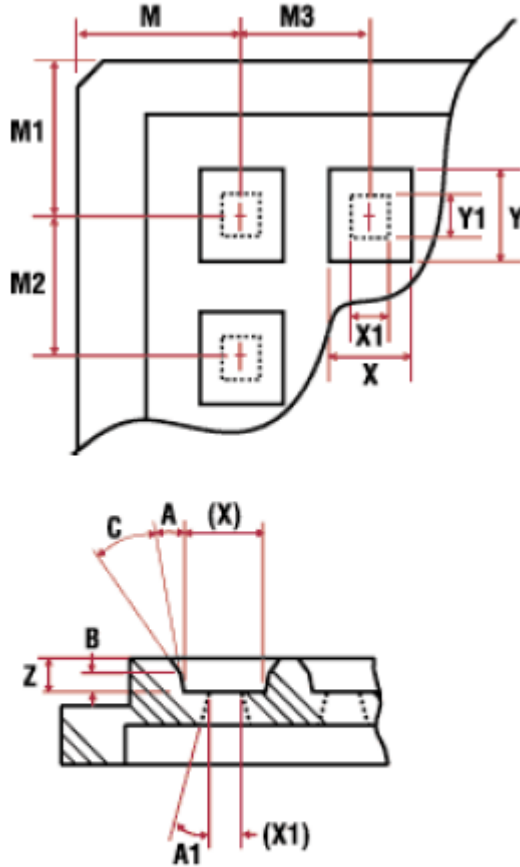
Reel Quantity	Reel Type	Dim. 'A'	Dim. 'N'	Dim. 'W1'	Dim. 'W2' (MAX)
2500	Std. 13" Reel	$\text{Ø} 330 \text{ REF}$	$\text{Ø} 102 \text{ REF}$	$13.0 \pm 0.5$	18.2
250	Mini 7" Reel	$\text{Ø} 180 \text{ REF}$	$\text{Ø} 80 \text{ REF}$	$12.4 \pm 0.5$	16.5

Note: All dimensions measured in mm



**WAFFLE PACK SHIPMENT INFORMATION**

**WAFFLE PACK SPECIFICATIONS**



**POCKET LOCATIONS**

M	= 5.03mm ±0.13mm
M1	= 5.03mm ±0.13mm
M2	= 4.06mm ±0.13mm
M3	= 4.06mm ±0.13mm
Array	= 11x11 (121)

**POCKET DETAILS**

X	2.79mm = ±0.13mm pocket size
Y	2.16mm = ±0.13mm pocket size
Z	1.07mm = ±0.08mm pocket depth
A	= 0° ±1/2° pocket draft angle
B	= 0.64mm chamfer height
	<b>No Cross Slots</b>

**OVERALL TRAY SIZE**

Size	= 50.67mm ±0.25mm
Height	= 3.94mm +0.08mm - 0.13mm
Flatness	= 0.30mm